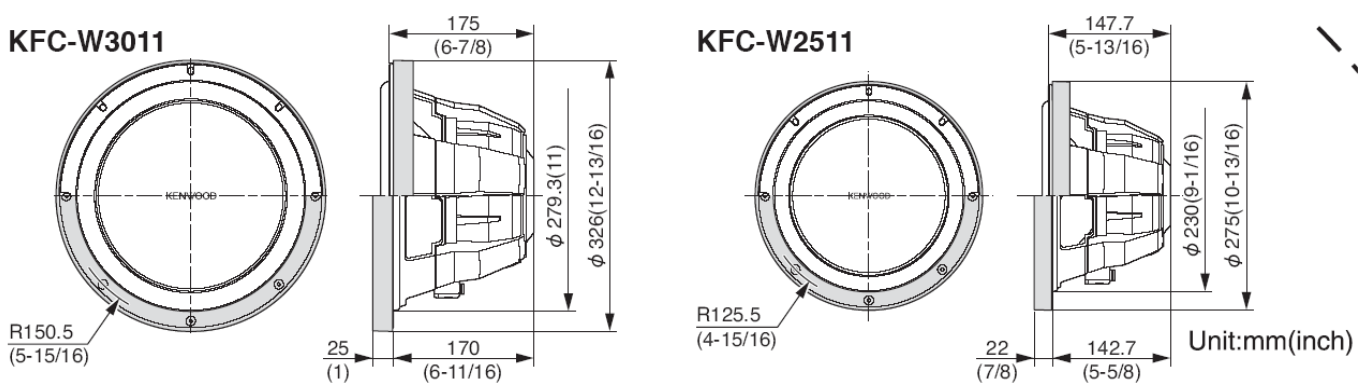


KFC-W3011 / KFC-W2511

Specifications

	■ KFC-W3011	■ KFC-W2511
Subwoofer	300 mm (12") PP Cone Type	250 mm (10") PP Cone Type
Nominal Impedance	4 Ω	4 Ω
Peak Input Power	1,200 W	1,000 W
Rated Input Power	400 W	300 W
Sensitivity	90 dB/W at 1 m	90 dB/W at 1 m
Free Air Resonance	45 Hz	60 Hz
Frequency Response	25-800 Hz	30-1,000 Hz
Net Weight	6,300 g	4,100 g

Dimensions



Technical specifications

	SYMBOL	UNIT	KFC-W3011
Nominal Impedance	Z	Ω	4
DC Resistance	Revc	Ω	3
Voice Coil Inductance	Levc	mH	1.26
Piston Area	Sd	sq.m	0,050
Force Factor	BL	T·m	10.1
Volume Acoustic Compliance	Vas	liter	26.6
		cu.ft	0.940
Moving Mass	Mms	g	171.9
Resonance Frequency	Fs	Hz	45
Mechanical Q Factor	Qms		3.839
Electrical Q Factor	Qes		1.519
Total Q Factor	Qts		1.088
Peak Power		W	1200
Peak Excursion	Xmax	mm	11.3
Displacement		cc	6495
		cu.ft	0.229
Mounting Depth		mm (in.)	170(6-11/16)
Weight of Magnet		g (oz)	1,780(62.7)
Voice Coil Diameter		mm (in.)	65(2-9/16)

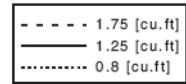
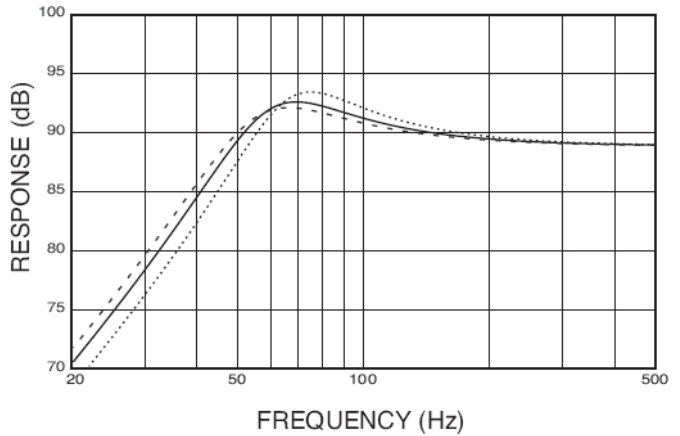
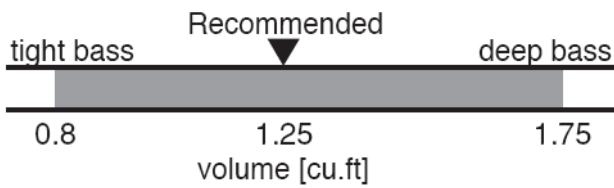
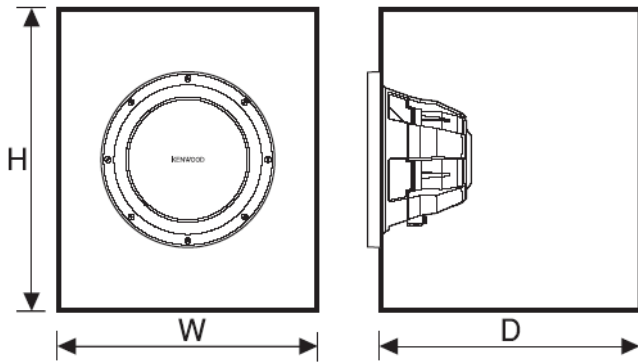
Technical specifications

	SYMBOL	UNIT	KFC-W2511
Nominal Impedance	Z	Ω	4
DC Resistance	Revc	Ω	4
Voice Coil Inductance	Levc	mH	2.8
Piston Area	Sd	sq.m	0.035
Force Factor	BL	T·m	13.9
Volume Acoustic Compliance	Vas	liter	9.38
		cu.ft	0.331
Moving Mass	Mms	g	122.9
Resonance Frequency	Fs	Hz	60
Mechanical Q Factor	Qms		8.575
Electrical Q Factor	Qes		0.932
Total Q Factor	Qts		0.84
Peak Power		W	1000
Peak Excursion	Xmax	mm	6.9
Displacement		cc	3552
		cu.ft	0.125
Mounting Depth		mm (in.)	142.7(5-5/8)
Weight of Magnet		g (oz)	1,200(42.3)
Voice Coil Diameter		mm (in.)	48(1-7/8)

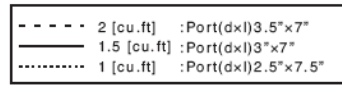
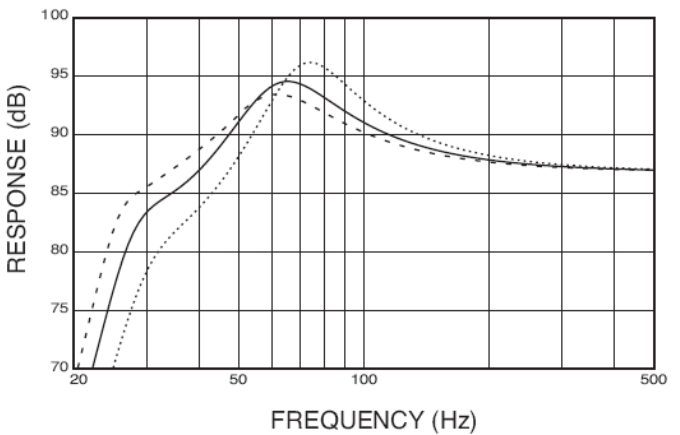
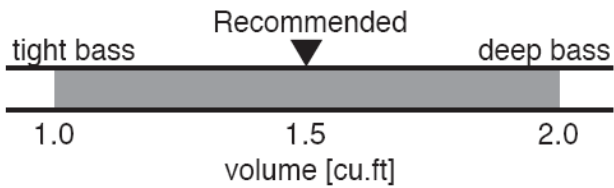
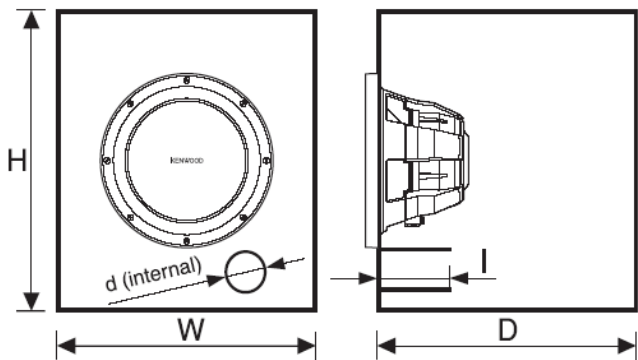
Recommended Enclosures

KFC-W3011

SEALED



PORTED



Recommended Enclosures

*W, H, D.....External Dimensions

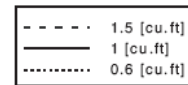
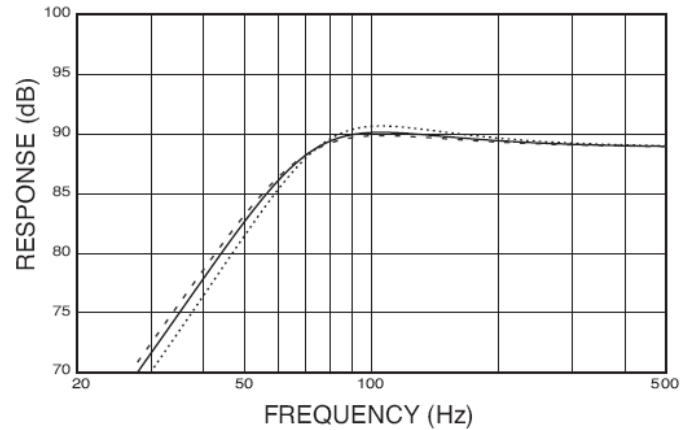
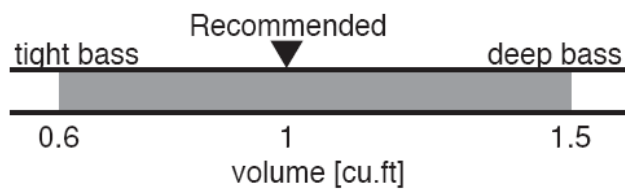
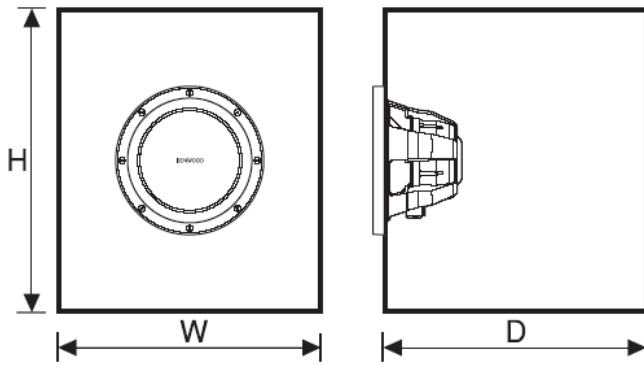
Model Name	Volume	W	H	D	Mounting Hole	Port Diameter d	Port Length l	Displacement
KFC-W3011	1.25 (35.4)	380 (14-15/16)	375 (14-3/4)	360 (14-3/16)	282 (11-1/8)	Sealed	Sealed	0.229
	1.5 (42.5)	380 (14-15/16)	440 (17-5/16)	360 (14-3/16)		76 (3)	178 (7)	
(unit)	cu.ft (liter)	mm (in.)						cu.ft

Use 21 mm (3/4 inch) thick Medium Density Fiberboard (MDF) or High Density Particleboard.

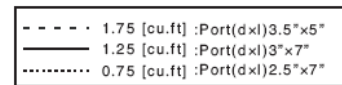
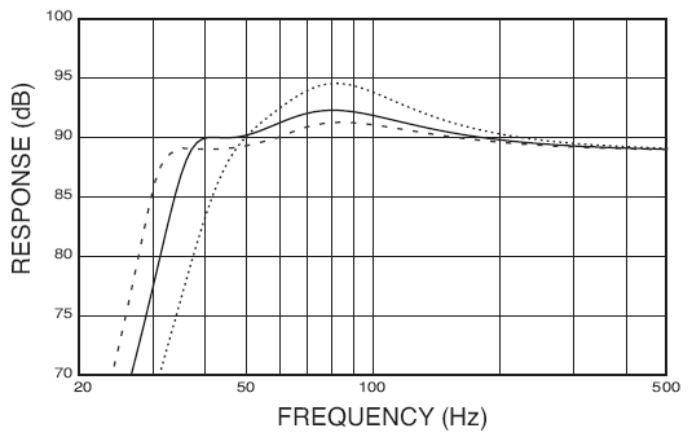
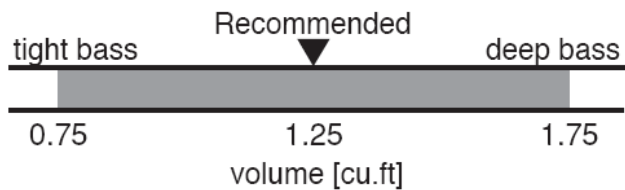
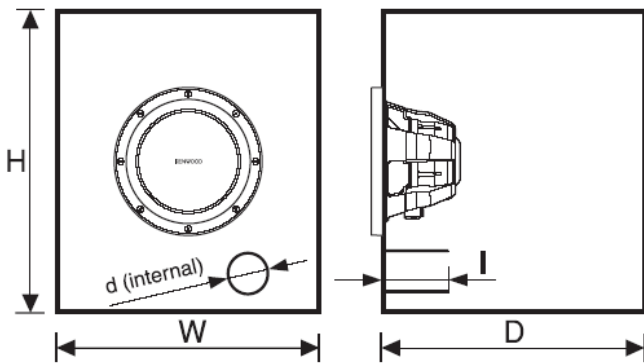
Recommended Enclosures

KFC-W2511

SEALED



PORTED



Recommended Enclosures

*W, H, D.....External Dimensions

Model Name	Volume	W	H	D	Mounting Hole	Port Diameter d	Port Length l	Displacement
KFC-W2511	1 (28.3)	330 (13)	390 (15-3/8)	325 (12-13/16)	233 (9-3/16)	Sealed	Sealed	0.125
	1.25 (35.4)	340 (13-3/8)	455 (17-15/16)	330 (13)		76 (3)	178 (7)	
(unit)	cu.ft (liter)	mm (in.)						cu.ft

Use 21 mm (3/4 inch) thick Medium Density Fiberboard (MDF) or High Density Particleboard.